

Thermometer with magnetic snap-action contact

Model : MTE

Feature of product

- Automated control
- High reliability and long service life



Product specification

Nominal size

3", 4", 5", 6"

Thread size

1/4", 3/8", 1/2", 3/4", 1"

Thread type

PT, PF, NPT

Material of connection and stem

304 stainless steel
 316 stainless steel can be customized

Case

304 stainless steel

Stem diameter

6, 6.3, 8, 9.5, 12, 15mm

Pointer

Black aluminum alloy sheet

Accuracy

±1%F.S.

Dial

Aluminum alloy sheet
 (single or double scale)

Window

PC

Stem length

1.5"~60"

Measuring range

-50°C~600°C

Product specification

Electrical contact specification

Maximum voltage: 250V(MAX.)

Maximum load: 30W~50VA(MAX.)

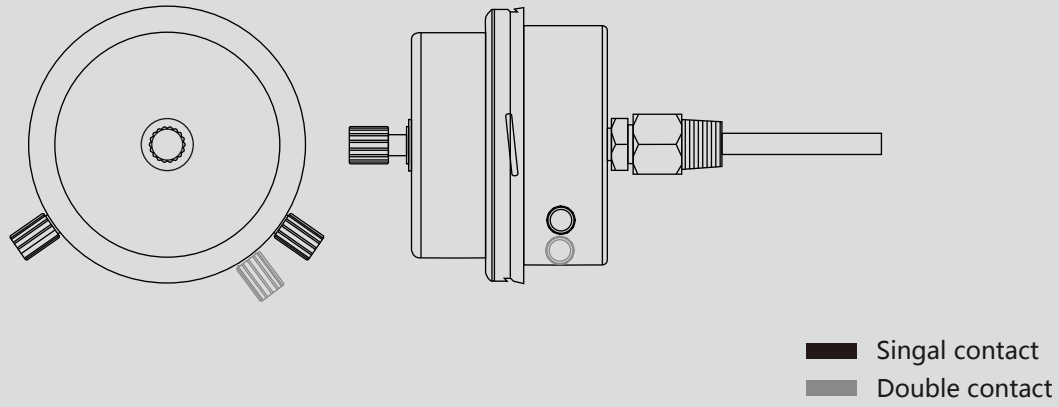
Ambient operating temperature: -20°C~70°C

Continuous load: 0.6A (MAX.)

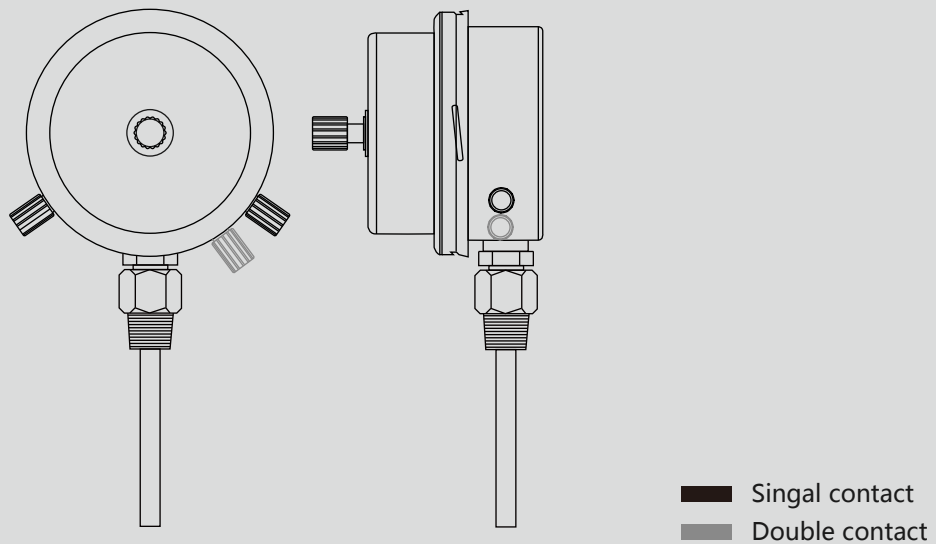
Switching voltage: 24V (Min.)

Type of mounting

BL - Back mount



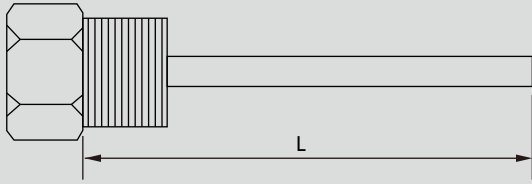
BS - Bottom mount



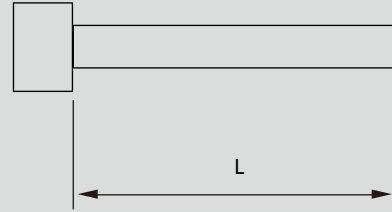
NS	Code	
	BL	BS
3"	✓	✓
4"	✓	✓
5"	✓	✓
6"	✓	✓

Connection type

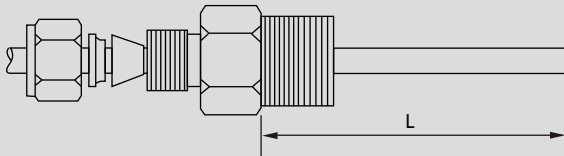
Male thread connection Code: MT



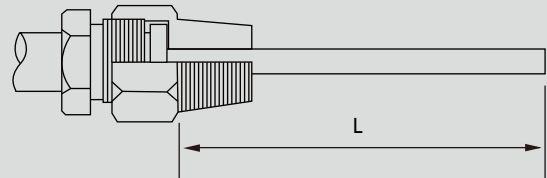
Plain stem Code: N



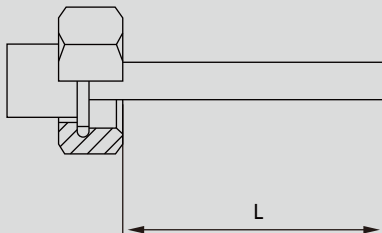
Compression fitting Code: CF



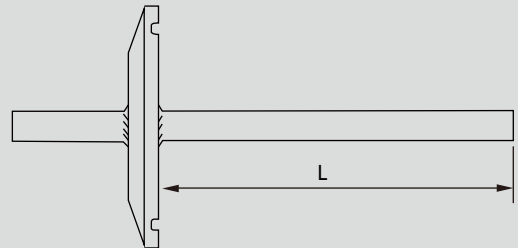
Loose threaded connection Code: LT



Union nut Code: UN

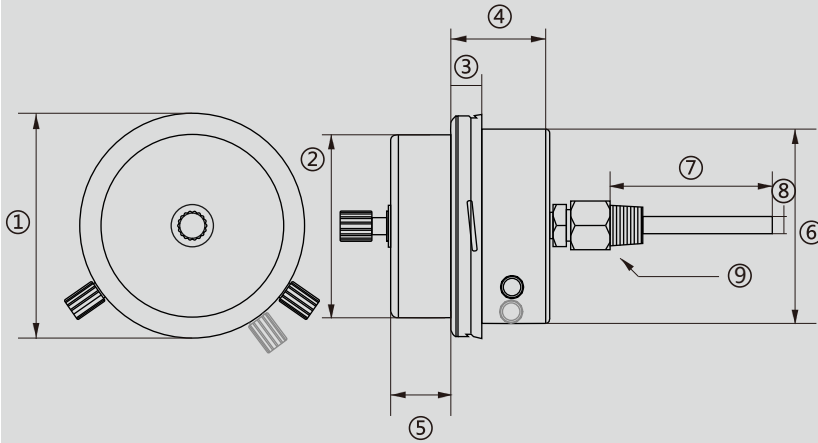


Tri-clamp Code: TC



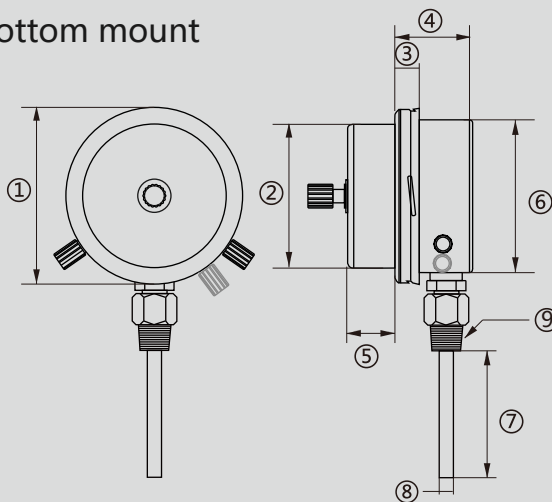
Dimensions

BL - Back mount



NS	Dimensions in mm								
	①	②	③	④	⑤	⑥	⑦	⑧	⑨
3"	84	79	12	47	30	75	150	6.3	1/4PT
4"	115	95	17	52	30	101	150	6.3	1/2PT
5"	130	110	13.5	51	30	117	150	6.3	1/2PT
6"	160	130	17	48	35	148	150	6.3	1/2PT

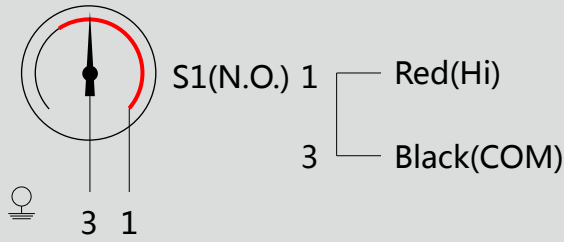
BS - Bottom mount



NS	Dimensions in mm								
	①	②	③	④	⑤	⑥	⑦	⑧	⑨
3"	84	79	12	47	30	75	150	6.3	1/4PT
4"	115	95	17	52	30	101	150	6.3	1/2PT
5"	130	110	13.5	51	30	117	150	6.3	1/2PT
6"	160	130	17	48	35	148	150	6.3	1/2PT

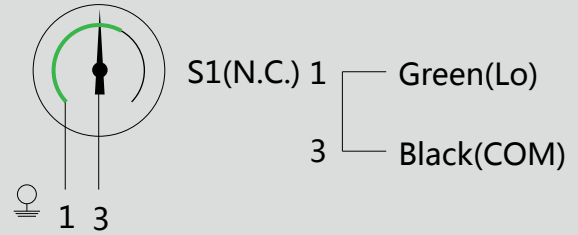
Contact type

2H: Single contact N.O.



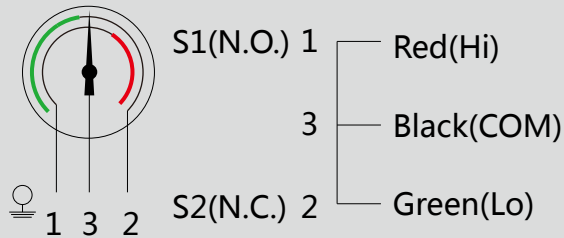
Contact makes when pointer reaches set point

2L: Single contact N.C.



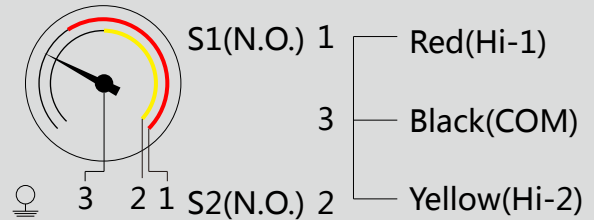
Contact breaks when pointer reaches set point

3HL: Double contacts N.O.+N.C.



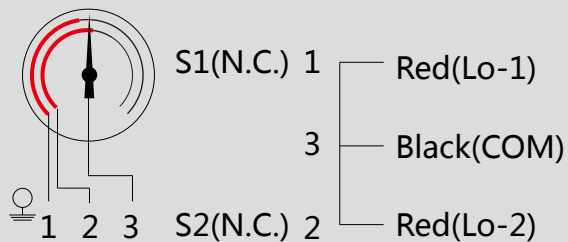
S2 contact breaks S1 contact makes when pointer reaches set point

3HH: Double contacts N.O.x2



S1 and S2 contact makes when pointer reaches set point

3LL: Double contacts N.C.x2 Code



S1 and S2 contact breaks when pointer reaches set point

Codes for custom order configuration

EX:	MTE-	BL	LT	3	3HL	100°C	Y	150mm	6.3	+A
Type of mounting										
BS - Back mount										
BL - Bottom mount										
Connection type										
MT - Male thread connection										
N - Plain stem										
CF - Compression fitting										
LT - Loose threaded connection										
UN - Union nut										
TC - Tri-clamp										
Nominal size										
3 - 3"										
4 - 4"										
5 - 5"										
6 - 6"										
Contact										
2H - Single contact N.O.										
2L - Single contact N.C.										
3HL- Double contacts N.O.+N.C.										
3HH - Double contacts N.O.x2										
3LL - Double contacts N.C.x2										
Temperature range(°C, °F)										
100°C										
Whether to specify the unit										
Y - Yes, specify the unit above										
N - No, accept the other units										
Stem length (with thread)										
150mm										
Stem diameter										
6mm										
6.3mm										
8mm										
9.5mm										
12mm										
15mm										
Other demands										
+A - None										
+B - Additional order details										

For any changes to the specifications of this catalogue , the latest version shall prevail.
Copyright © 01/2019 by SIN JIA ENTERPRISE COMPANY LIMITED. All rights reserved.

SIN JIA ENTERPRISE COMPANY LIMITED

TEL:+886-2-2550-4512

FAX:+886-2-2550-4510

info@sinjiagauge.com

www.sj-gauge.com

No.3, Ln. 71, Chifeng St., Datong Dist., Taipei City 103, Taiwan

