

Capillary thermometer with electrical contact

Model : MTRE

Feature of product

- Automated control
- Spacing measurement, remote monitoring
- The length of the capillary can be customized



Product specification

Nominal size

3", 4", 5", 6"

Thread size

1/4", 3/8", 1/2", 3/4", 1"

Thread type

PT, PF, NPT

Measuring range

-50°C~600°C

Case

304 stainless steel

Material of connection and stem

304 stainless steel

316 stainless steel can be customized

Pointer

Black aluminum alloy sheet

Accuracy

±1%F.S.

Dial

Aluminum alloy sheet
(single or double scale)

Window

PC

Capillary length

0.5m~20m

Stem length

1.5"~60"

Product specification

Stem diameter

6, 6.3, 8, 9.5, 12, 15mm

Electrical contact specification

Maximum voltage: 250V(MAX.)

Maximum load: 30W~50VA(MAX.)

Ambient operating temperature: -20°C~70°C

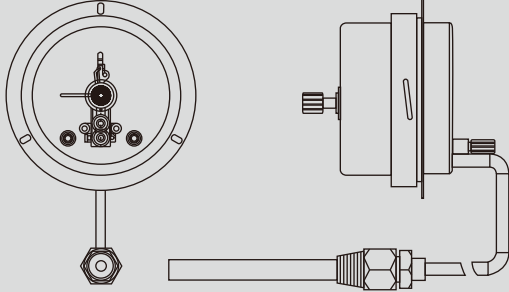
Continuous load: 0.6A (MAX.)

Switching voltage: 24V (Min.)

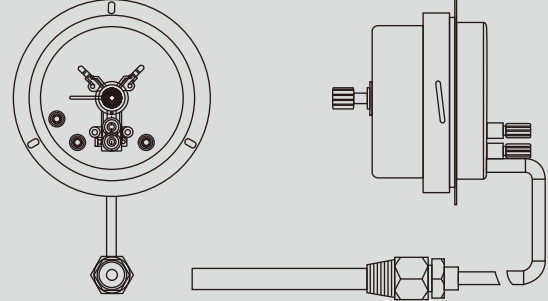
Type of mounting

CF - Back mount

Singal contact

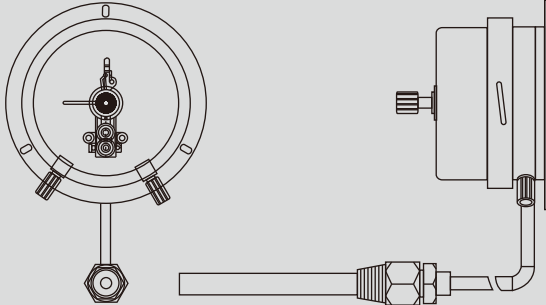


Double contact

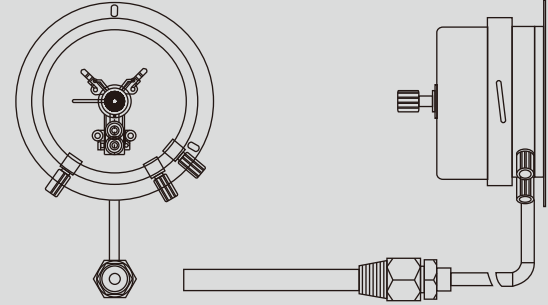


CW - Surface mount

Singal contact



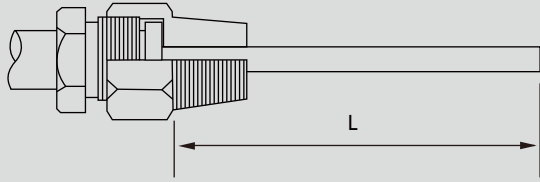
Double contact



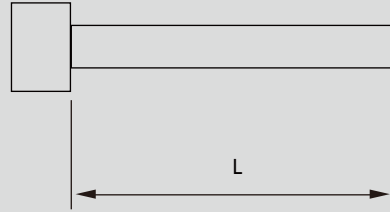
NS \ Code	BL	BS
3"	✓	✓
4"	✓	✓
5"	✓	✓
6"	✓	✓

Connection type

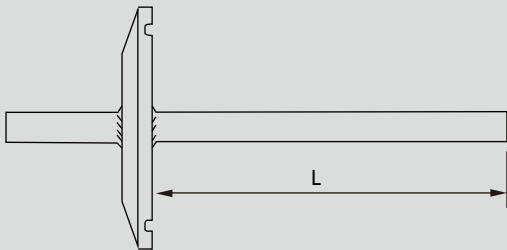
Loose threaded connection
Code: LT



Plain stem Code: N

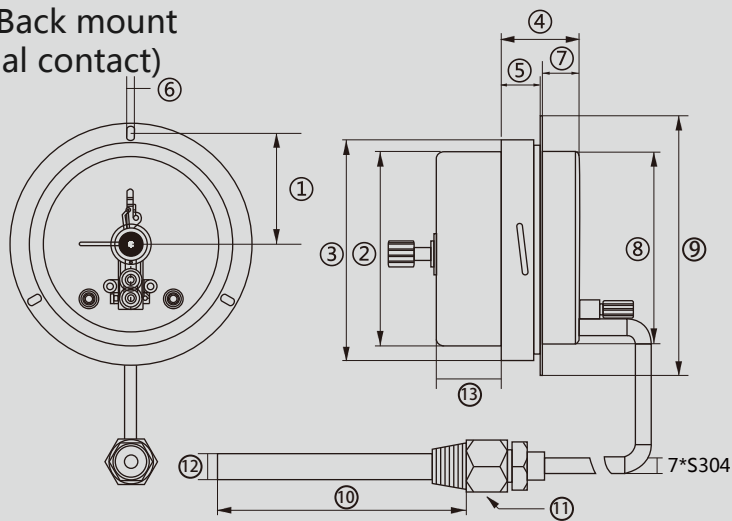


Tri-clamp Code: TC



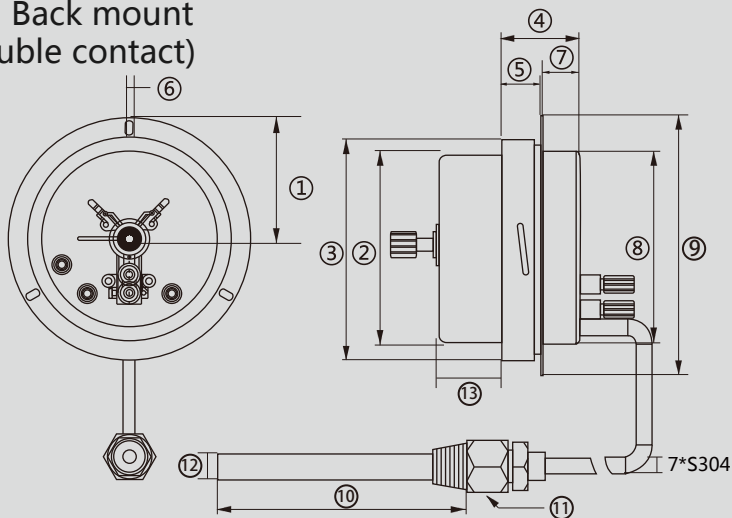
Dimensions

CF - Back mount
(Single contact)



NS \ Code	①	②	③	④	⑤	⑥	⑦	⑧	⑨	⑩	⑪	⑫	⑬
3"	44	79	84	47	12	4*4	34	75	104	150	1/4"PT	12	30
4"	60	92	110	38	16	6*10	21	98.5	132	150	1/2"PT	12	34
5"	73	110	130	51	13.5	6*6	35.5	117	160	150	1/2"PT	12	30
6"	90	130	160	48	17	6*6	29	148	198	150	1/2"PT	12	35

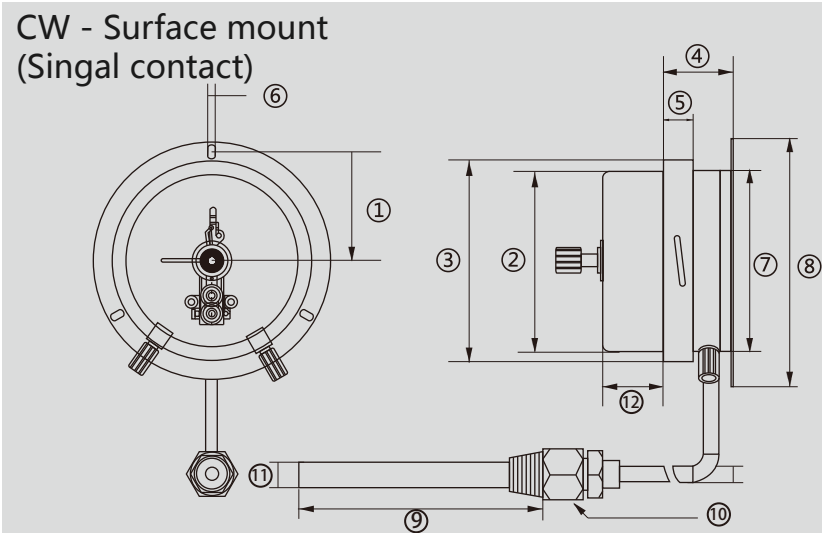
CF - Back mount
(Double contact)



NS \ Code	①	②	③	④	⑤	⑥	⑦	⑧	⑨	⑩	⑪	⑫	⑬
3"	44	79	84	47	12	4*4	34	75	104	150	1/4"PT	12	30
4"	60	92	110	38	16	6*10	21	98.5	132	150	1/2"PT	12	34
5"	73	110	130	51	13.5	6*6	35.5	117	160	150	1/2"PT	12	30
6"	90	130	160	48	17	6*6	29	148	198	150	1/2"PT	12	35

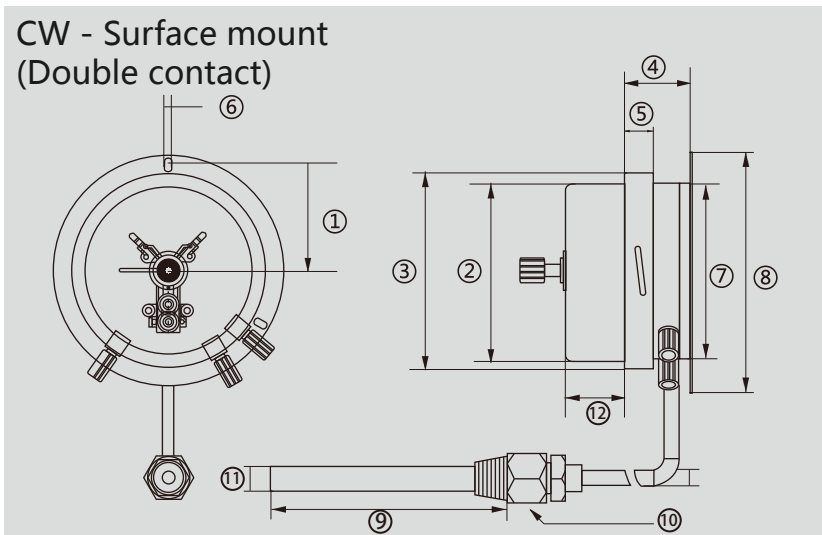
Dimensions

CW - Surface mount
(Single contact)



NS \ Code	①	②	③	④	⑤	⑥	⑦	⑧	⑨	⑩	⑪	⑫
3"	44	79	84	47	12	4*4	75	104	150	1/4"PT	12	30
4"	60	92	110	38	16	6*10	98.5	132	150	1/2"PT	12	34
5"	73	110	130	51	13.5	6*6	117	160	150	1/2"PT	12	30
6"	90	130	160	48	17	6*6	148	198	150	1/2"PT	12	35

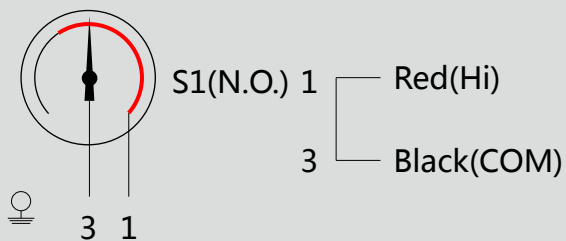
CW - Surface mount
(Double contact)



NS \ Code	①	②	③	④	⑤	⑥	⑦	⑧	⑨	⑩	⑪	⑫
3"	44	79	84	47	12	4*4	75	104	150	1/4"PT	12	30
4"	60	92	110	38	16	6*10	98.5	132	150	1/2"PT	12	34
5"	73	110	130	51	13.5	6*6	117	160	150	1/2"PT	12	30
6"	90	130	160	48	17	6*6	148	198	150	1/2"PT	12	35

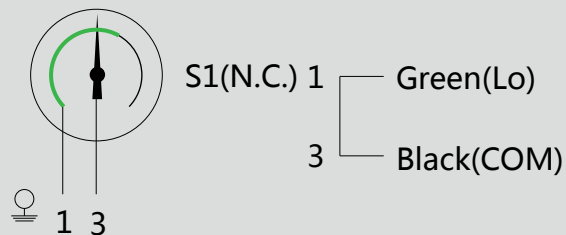
Contact type

2H: Single contact N.O.



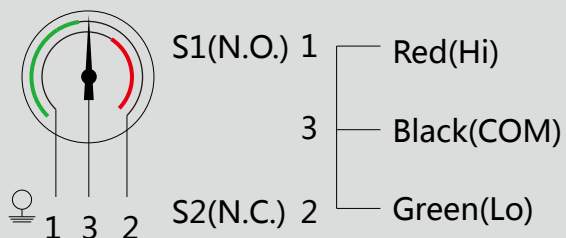
Contact makes when pointer reaches set point

2L: Single contact N.C.



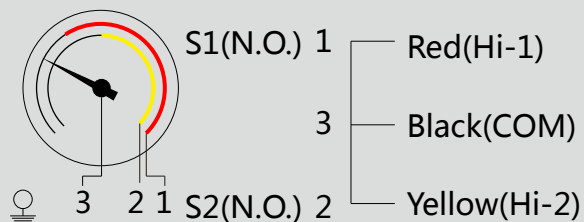
Contact breaks when pointer reaches set point

3HL: Double contacts N.O.+N.C.



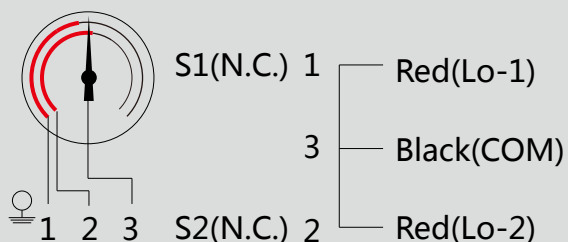
S2 contact breaks S1 contact makes when pointer reaches set point

3HH: Double contacts N.O.x2



S1 and S2 contact makes when pointer reaches set point

3LL: Double contacts N.C.x2 Code



S1 and S2 contact breaks when pointer reaches set point

Codes for custom order configuration

EX:	MTRE-	CF	LT	3	3m	100°C	Y	150mm	12	+A
Type of mounting										
CF	- Back mount		CF							
CW	- Surface mount									
Connection type										
N	- Plain stem									
LT	- Loose threaded connection		LT							
TC	- Tri-clamp									
Nominal size										
3	- 3"		3							
4	- 4"									
5	- 5"									
6	- 6"									
Capillary length (meter)										
max 20m					3m					
Temperature range(°C, °F)										
						100°C				
Whether to specify the unit										
Y	- Yes, specify the unit above						Y			
N	- No, accept the other units									
Stem length (with thread)										
								150mm		
Stem diameter										
6mm										
6.3mm										
8mm										
9.5mm										
									12	
15mm										
Other demands										
+A - None										+A
+B - Additional order details										

For any changes to the specifications of this catalogue , the latest version shall prevail.
Copyright © 01/2019 by SIN JIA ENTERPRISE COMPANY LIMITED. All rights reserved.

SIN JIA ENTERPRISE COMPANY LIMITED

TEL:+886-2-2550-4512

FAX:+886-2-2550-4510

info@sinjiagauge.com

www.sj-gauge.com

No.3, Ln. 71, Chifeng St., Datong Dist., Taipei City 103, Taiwan

