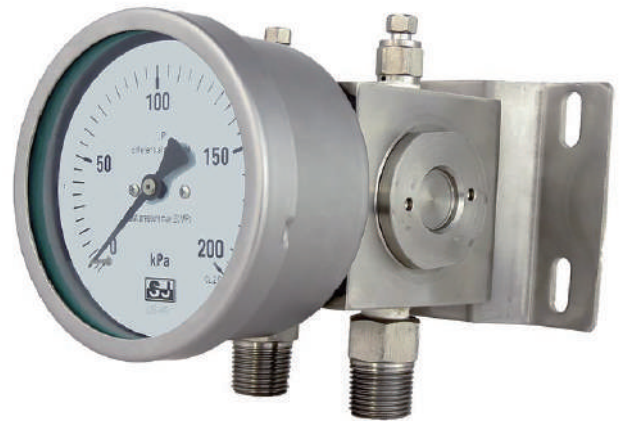


High Differential, Diaphragm Type

Model : PRHD

Feature of Product

- Suitable for locations and corrosive environments with high overload differential pressure or working pressure (static pressure)
- For gas, liquid, viscous aggressive media containing solid particles
- High working pressure (static pressure) and high overload safety



Product Specification

Nominal size

4"

Thread type1/2" NPT (High and low pressure 2 port)
or other can be choosed**Permissible pressure range**

0~10kPa to 0~4MPa

Static pressure

Maximum 20 MPa

Accuracy

±2.5% F.S

Sensing element

Diaphragm type

Medium temperature

150°C

Case

AISI 304 SS

Window

Glass

Movement

304 stainless steel

Product Specification

Diaphragm material

316 stainless steel

Pointer

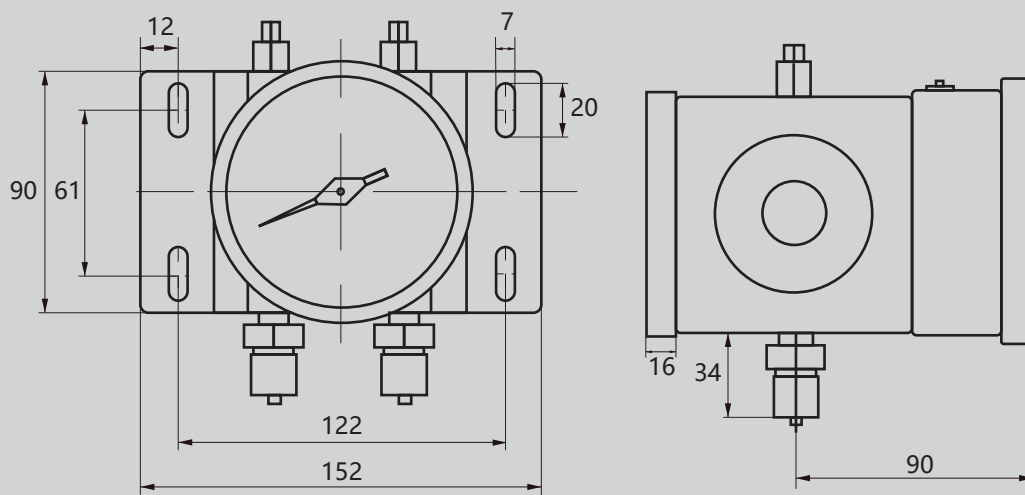
Adjustable black aluminum alloy

Connection type

Bottom

Dimensions

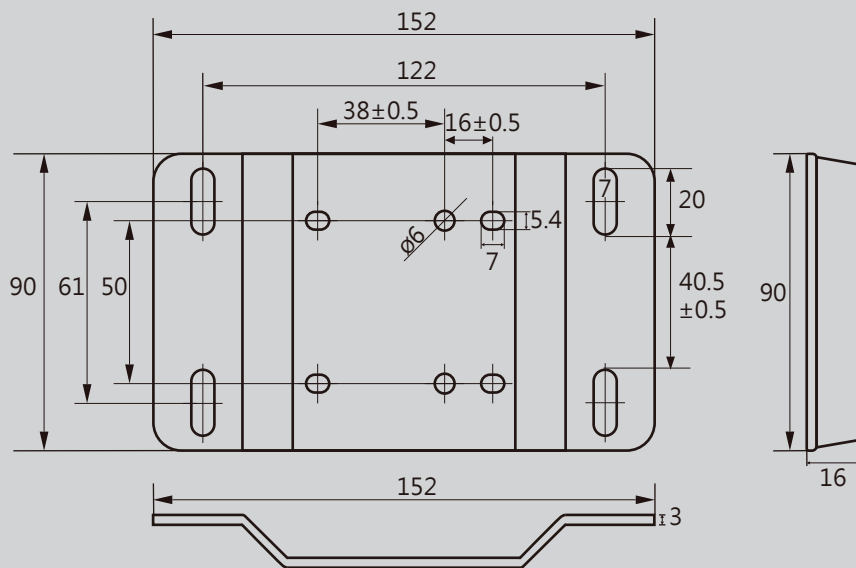
Gauge for surface mounting with clamp



Unit:mm

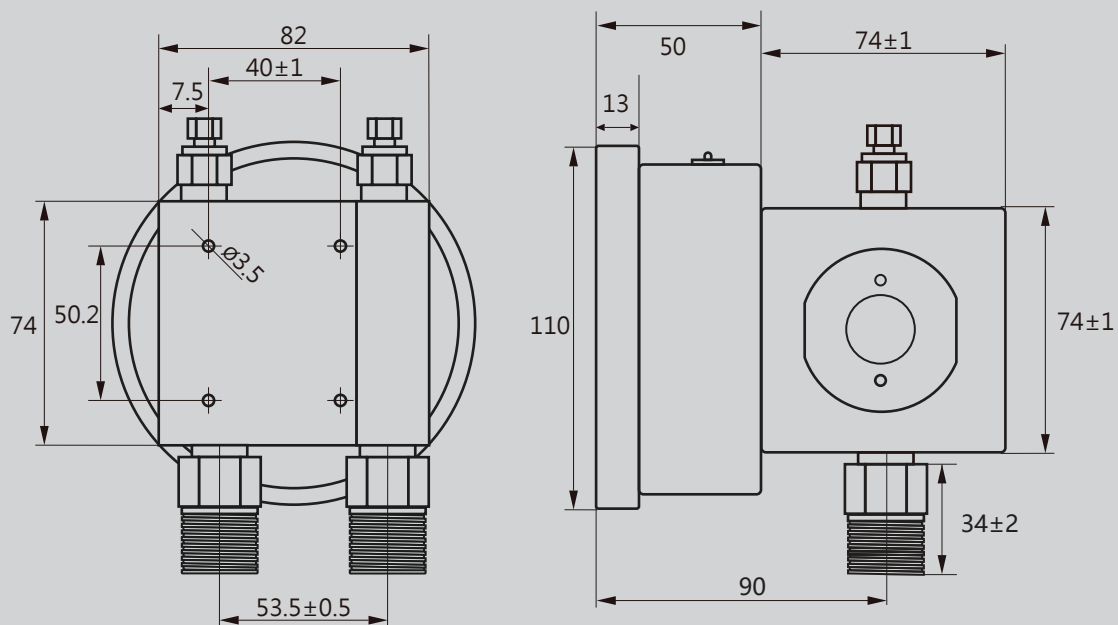
Dimensions

Clamp for surface mounting



Unit:mm

Gauge for direct mounting



Unit:mm

選型表

EX:	PRHD -	10kPa to 4MPa	4	NPT	20MPa	+A
Permissible pressure range		10kPa to 4MPa				
Thread size			4			
4	-	1/2"				
OT	-	other				
Thread type				NPT		
NPT	-	NPT				
OT	-	other				
Static pressure	20MPa				20MPa	
Other demands						+A
+A	-	None				
+B	-	Additional order details				

For any changes to the specifications of this catalogue, the latest version shall prevail.

Copyright © 10/2020 by SIN JIA ENTERPRISE COMPANY LIMITED. All rights reserved.

SIN JIA ENTERPRISE COMPANY LIMITED

TEL:+886-2-2550-4512

FAX:+886-2-2550-4510

info@sinjiagauge.com

www.sj-gauge.com

No.3, Ln. 71, Chifeng St., Datong Dist., Taipei City 103, Taiwan

