

# High Accuracy Digital Pressure Gauge

Model: MXP

## Feature of Product

- Designed for calibration, whose maximum of accuracy is up to 0.025%F.S.
- Micro-B connector charger (android charging cable)
- With bar graph display to prevent over pressure



## Product Specification

### Nominal size

110mm

### Thread size

Standard: 1/2"NPT, G1/2, G1/4, G1/8, G3/8, M20\*1.5 or with adapter

### Thread material

304 stainless steel

### Pressure range

-1...5 ~ 0...1000 bar

### Medium temperature

-35°C~60°C

### Temperature compensation

-10°C~50°C

### Accuracy

0.05%F.S. (standard)

0.025%F.S., 0.1% F.S. (optional)

### Case

Aluminum alloy nickel plating

### Diaphragm

316L

### Panel material

PVC

### Power supply

14500 Chargable lithium battery

### Battery life

2000 hours



## Product Specification

**character size**

5mm\*15mm

**Screen**

LCD

**Display**

5-bit display with backlight

**Unit**

Kgf/cm, mH<sub>2</sub>O, KPa, mmHg, Psi, bar,  
Pa, MPa

**Screen update**

2ms

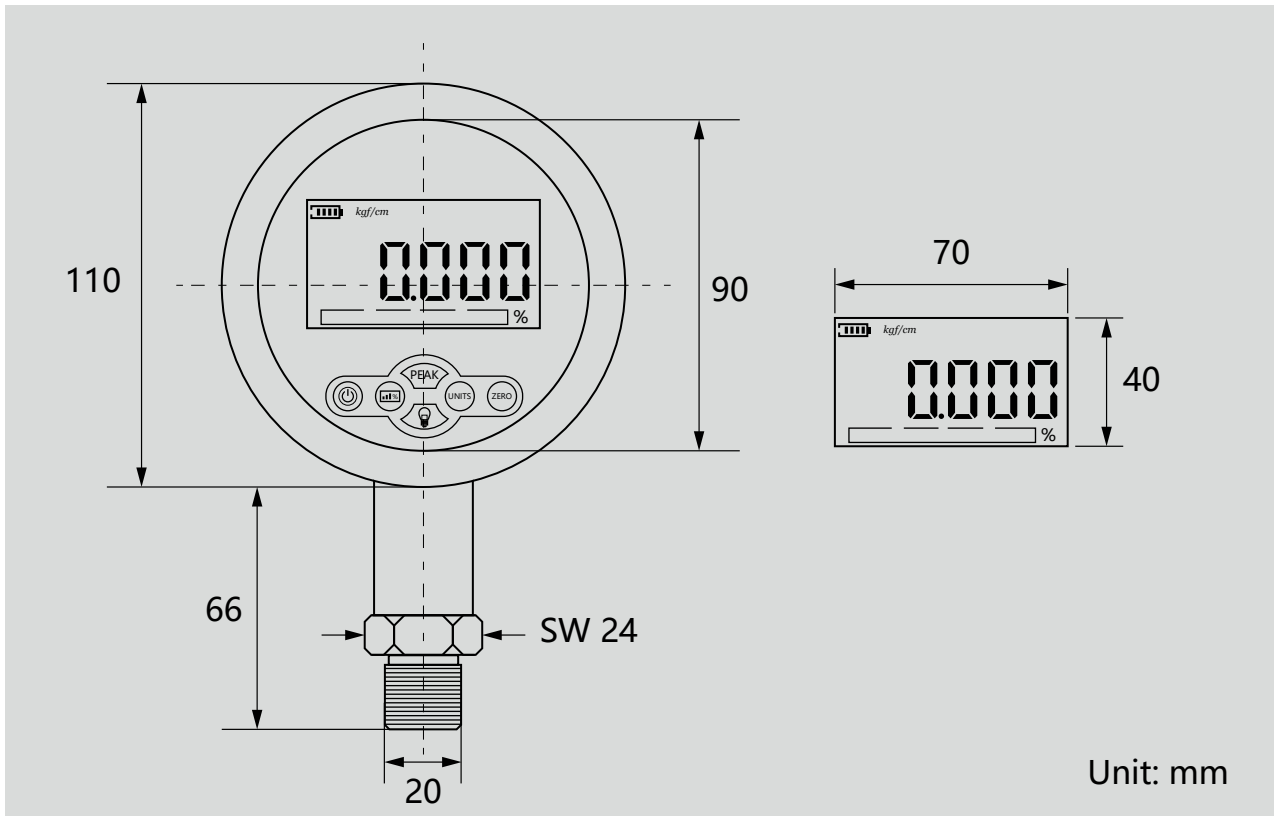
**Size of shock-proof box**

200mm\*140mm\*100mm

**Weight of shock-proof box**

1.5 Kg

## Dimension



## Accessories



Standard

Shock-proof box



Standard

Key, adapter, charger, charger cable

## Codes for Custom Order Configurations

Ex: MXP - 1 B 10kg +A

<b>Thread size</b>		1			
1G	-	G1/8"			
2G	-	G1/4"			
3G	-	G3/8"			
4G	-	G1/2"			
4NPT	-	1/2"NPT			
M	-	M20*1.5			
OT	-	other or with adapter			
<b>Accuracy</b>			B		
A	-	0.1%F.S			
B	-	0.05%F.S.			
C	-	0.025%F.S.			
<b>Pressure range (including unit)</b>				10kg	
<b>Other demand</b>					+A
+A	-	None			
+B	-	Additional order details			

For any changes to the specifications of this catalogue, the latest version shall prevail.  
Copyright © 08/2021 by SIN JIA ENTERPRISE COMPANY LIMITED. All rights reserved.

SIN JIA ENTERPRISE COMPANY LIMITED

TEL:+886-2-2550-4512

FAX:+886-2-2550-4510

info@sinjiagauge.com

www.sj-gauge.com

No.3, Ln. 71, Chifeng St., Datong Dist., Taipei City 103, Taiwan



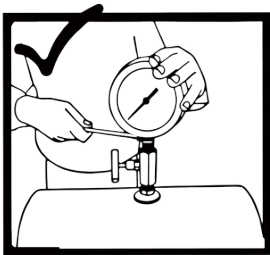
## Precautions for use

1. To prevent explosion of Diesel Effect, avoid mixing oxygen and hydraulic oil.
2. When using a high-pressure system, pay attention to the tightness of the installation, especially the air pressure and water pressure.
3. The pressure gauge should be installed in a place that is easy for reading, stable and relatively free to vibration.

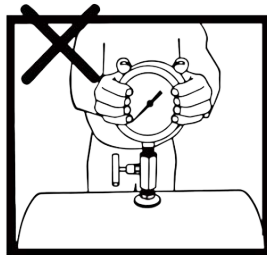
## Installation

1. Using seal tape or anaerobe with PT, NPT thread ,and gasket with PF, PS thread.
2. Please start the machine at the very low pressure if it is the first time running test.
3. When install vertical pressure gauge, do not tighten by grasping the case of the gauge as this may cause damage, using a wrench instead.

## GAUGE INSTALLATION



**Correct**  
Use the wrench flats on the pressure connection



**Incorrect**  
Do not tighten by applying force to the gauge

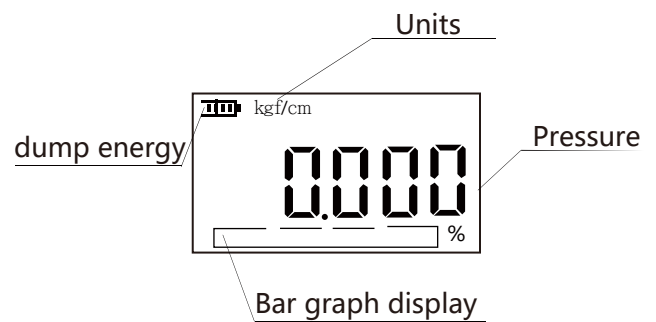
## Cautions

1. Using the siphon if the temperature of media is too high.
2. When it comes to choose the range of pressure gauge, we suggest that choose the range of 1/3 more than the maximum possible of measuring.

## Repair and Warranty

1. Pressure gauge can only take apart for repairs and adjustments by the original technical staff.
2. Pressure gauges should be checked and corrected regularly to ensure accuracy of the gauge. Generally, we recommend gauges to be restandardized once a year.
3. We guarantee replace new or repaired free if the product is under normal use, damage caused by non-human since you receive the goods for 1 year.

## Display instructions



## Button operation instructions

