

Internal Electric Contact Pressure Gauge

model : PRE4.H

Feature of Product

- Contact material features: fire resistance, welding resistance, gold plating, oxidation resistance
- The contact resistance is small, and the magnetic force can be adjusted for special use situations
- The contacts are hidden behind the panel, which is not only visually beautiful, but also uses durable glass



Above : Bottom mount+Side Junction Box
Below : Back mount+Behind Junction Box

Product Specification

Nominal size

4"

Thread size

1/4, 3/8, 1/2, NPT, G, PT or Other

Connection material

SUS316

Accuracy

CL 1.6

Terminal type

junction box

Measuring range

-30inHg~1000kg/cm²
-76cmHg~1000kg/cm²

Contact material

Silver nickel alloy

Case/Bezel

SUS304、SUS316

Movement

SUS304

Bourdon tube

SUS316

Window

Glass

Pointer

Black aluminum alloy

Protection level

IP 65

filling

No oil, silicone oil

Common pressure limit

Stable pressure, maximum pressure x3/4

Change pressure, maximum pressure x2/3

Permissible temperature

Ambient:-20°C~70°C

Medium:-20°C~100°C

Electrical contact specification

Rated voltage : 380V(Max.)

Contact capacity : 30W~30VA(Max.)

Ambient temperature : -20~70°C

Make rating : 1.0A(Max.)

Continuous load : 0.6A(Max.)

Switching voltage : 24V(Min.)

Contact type

Single contact N.O.

Single contact N.C.

Double contacts N.O.x2 (3-wire or 4-wire)

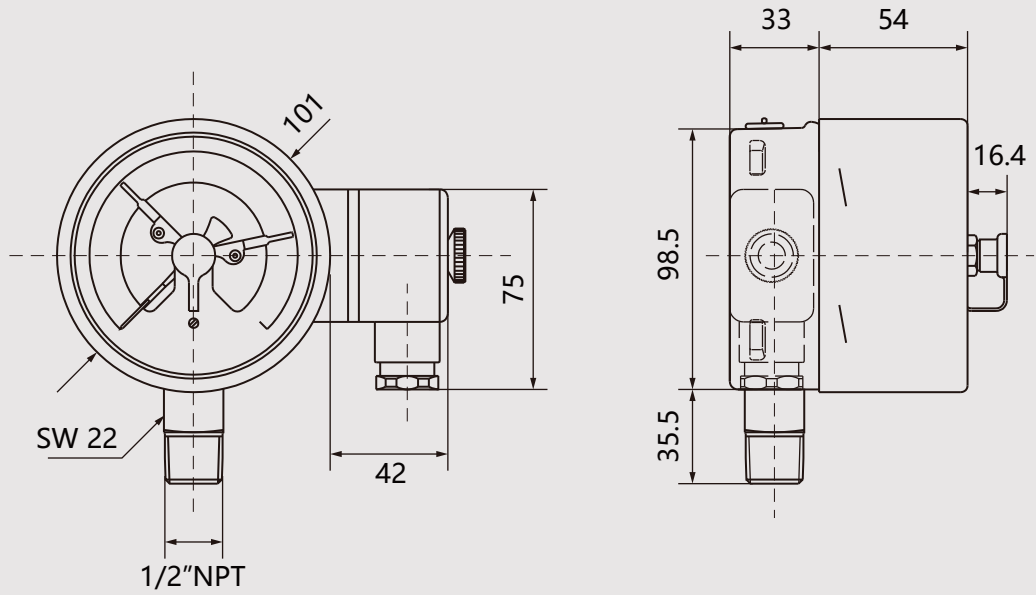
Double contacts N.O.+N.C. (3-wire or 4-wire)

Double contacts N.C.x2

SPDT (Single pole double throw)

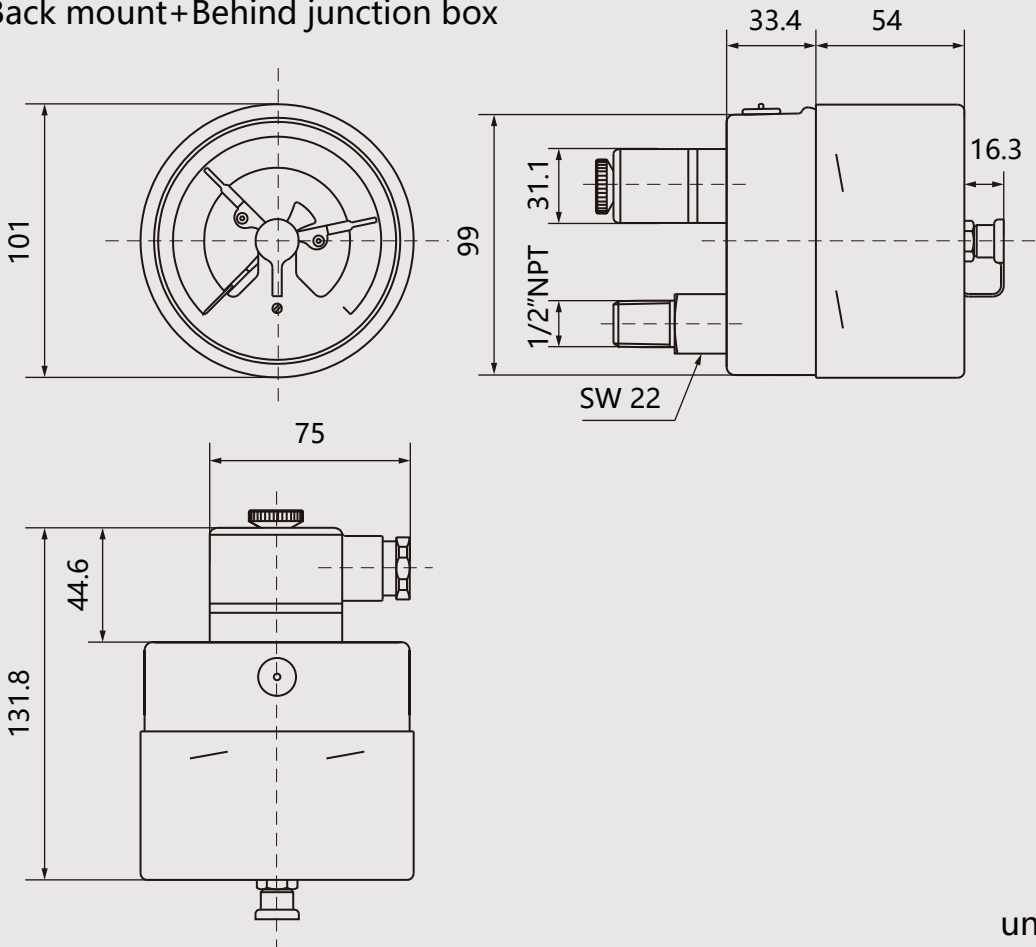
Dimensions

A-Bottom mount+Side junction box



unit: mm

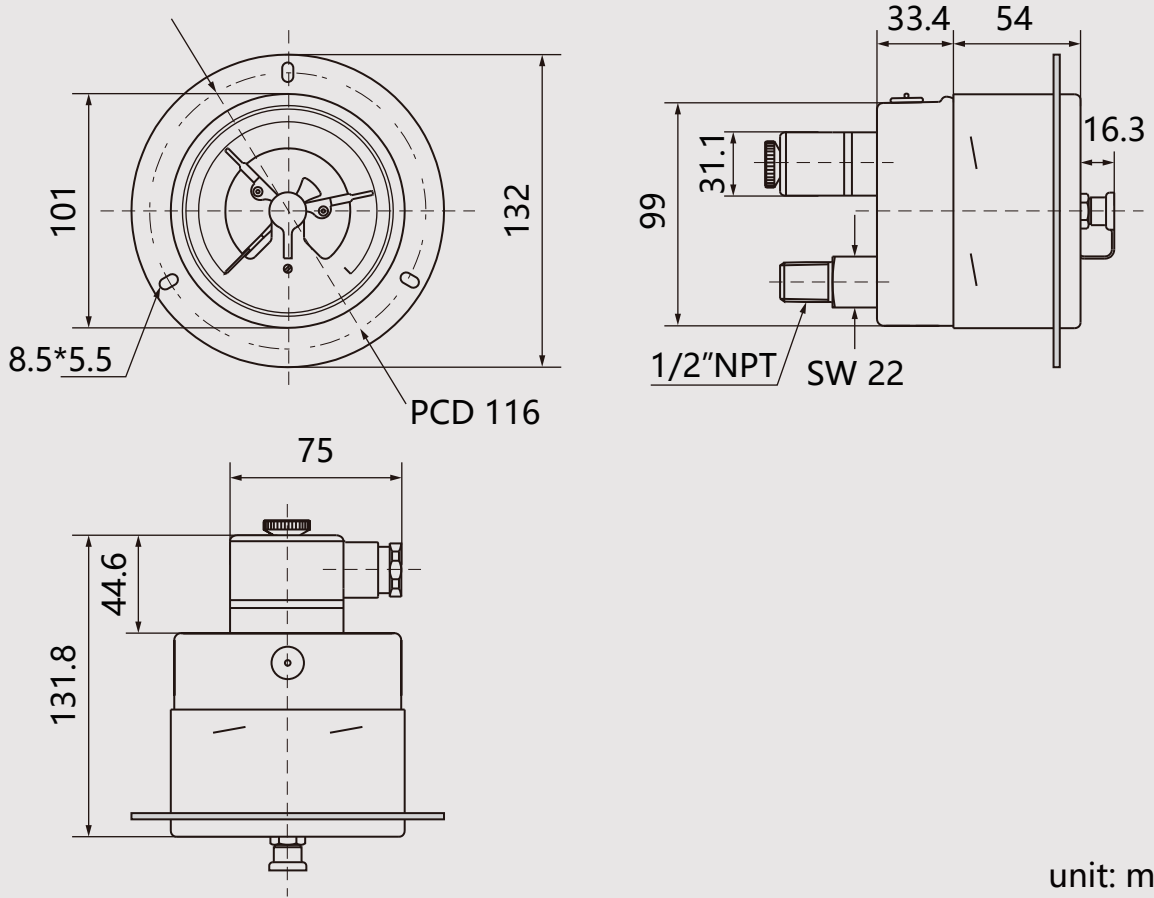
AD-Back mount+Behind junction box



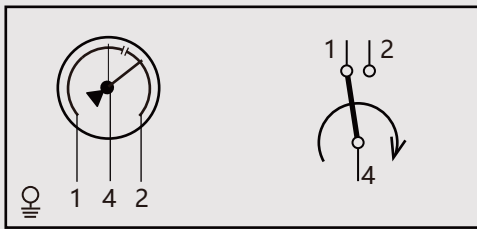
unit: mm

Dimensions

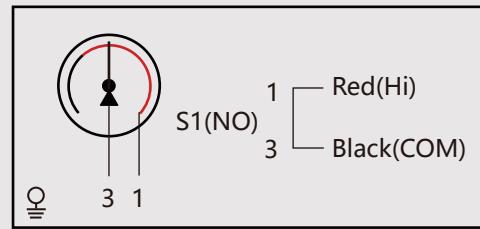
BD-Back mount+Flange+Behind junction box



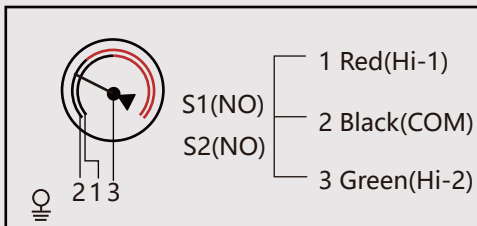
Contact type



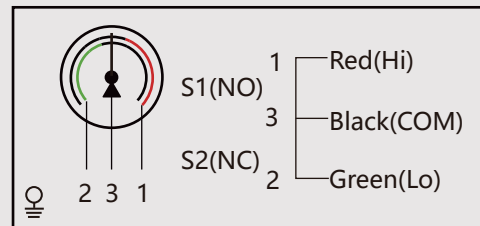
When the pointer reaches the set point, one contact is opened and one is closed
SPDT Single pole double throw



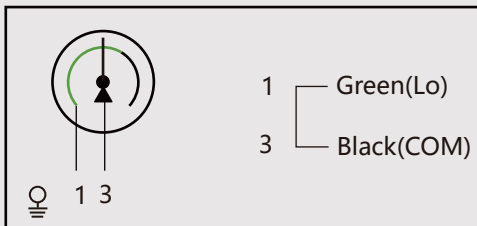
Contact makes when pointer reaches set point
2R Single contact N.O.



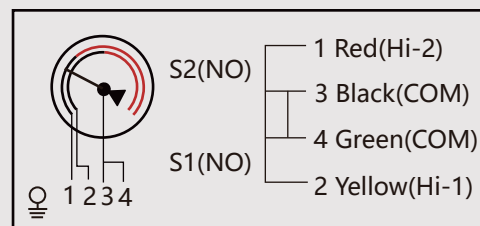
S1 and S2 contact make when pointer reaches set point
3RR Double contacts N.O. *2 (3-wire)



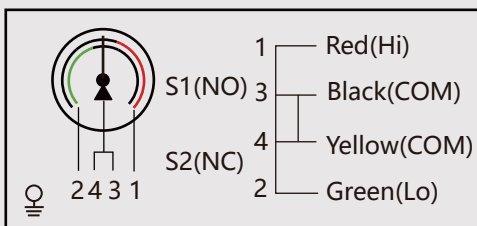
S2 contact breaks S1 contact makes when pointer reaches set point
3RG Double contacts N.O.+N.C.



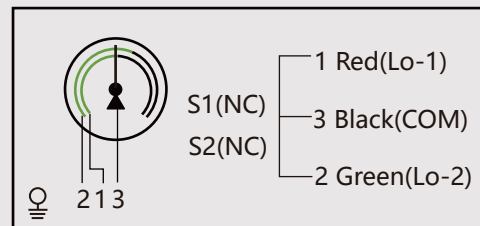
Contact breaks when pointer reaches set point (NC-normal close)
2G Single contact N.C.



S1 and S2 contact make when pointer reaches set point
4RR Double contacts N.O.*2 (4-wire)



S2 contact breaks S1 contact makes when pointer reaches set point
4RG Double contacts N.O.+N.C. (4-wire)



S1 and S2 contact break when pointer reaches set point
3GG Double contact N.C.*2 Code

* Note: When the contact type is matched with the pressure gauge, the pressure pointer is clockwise. For vacuum pressure, it is counterclockwise, and the contact type is connected and disconnected in the opposite direction.

Codes for Custom Order configurations

Ex:	PRE4.H -	A	4	NPT	10kg	Y	4RG	+A
Mounting type		A						
A	- Bottom mount							
AD	- back mount							
BD	- back mount+Flange							
Thread size			4					
2	- 1/4"							
3	- 3/8"							
4	- 1/2"							
OT	- Other							
Thread type				NPT				
PT	- PT							
NPT	- NPT							
G	- PF							
OT	- Other							
Pressure range (including unit)					10kg			
Whether to specify the unit						Y		
Y	- Yes, specify the unit above							
N	- No, accept the other unit							
Contact type							4RG	
SPDT	- Single pole double throw							
2R	- Single contact N.O.							
3RR	- Double contacts N.O.*2							
3RG	- Double contacts N.O.+N.C.							
2G	- Single contact N.C.							
4RR	- Double contacts N.O.*2							
4RG	- Double contacts N.O.+N.C.							
3GG	- Double contacts N.C.*2							
Other demands								+A
+A	- None							
+B	- Additional order details							

For any changes to the specifications of this catalogue, the latest version shall prevail.

Copyright © 07/2021 by SIN JIA ENTERPRISE COMPANY LIMITED. All rights reserved.

SIN JIA ENTERPRISE COMPANY LIMITED

TEL:02-2550-4512

FAX:02-2550-4510

info@sinjiagauge.com

www.sj-gauge.com

No.3, Ln. 71, Chifeng St., Datong Dist., Taipei City 103, Taiwan

