

Pressure Gauge with External Adjustments

Model : PROZ

Feature of Product

- Can adjust the pointer easily with the external adjustment design even under the liquid-filled state
- Suitable for liquid or gas that are not aggressive to stainless steel



Product Specification

Nominal size

2.5" 、 4"

Thread Size

1/4" 、 3/8" 、 1/2"

Thread Type

PT 、 NPT

Pressure Range

30 inHg Vac.~14500 psi

76 cmHg Vac. ~1000 kg/cm²

Pointer

Black aluminum alloy

Case

304 stainless steel

Accuracy

±1.5%F.S.

Thread material

316 stainless steel

Bourdon tube

316 stainless steel

Windows

PC, glass can be customized

Dial

Aluminum alloy
(single or double scale)

Fitting

Red and green pointer (optional)



Product Specification

Permissible temperature range

Ambient:

-40°C~60°C without liquid-filled

-20°C~60°C with liquid-filled

Medium:

Max 150°C without liquid-filled

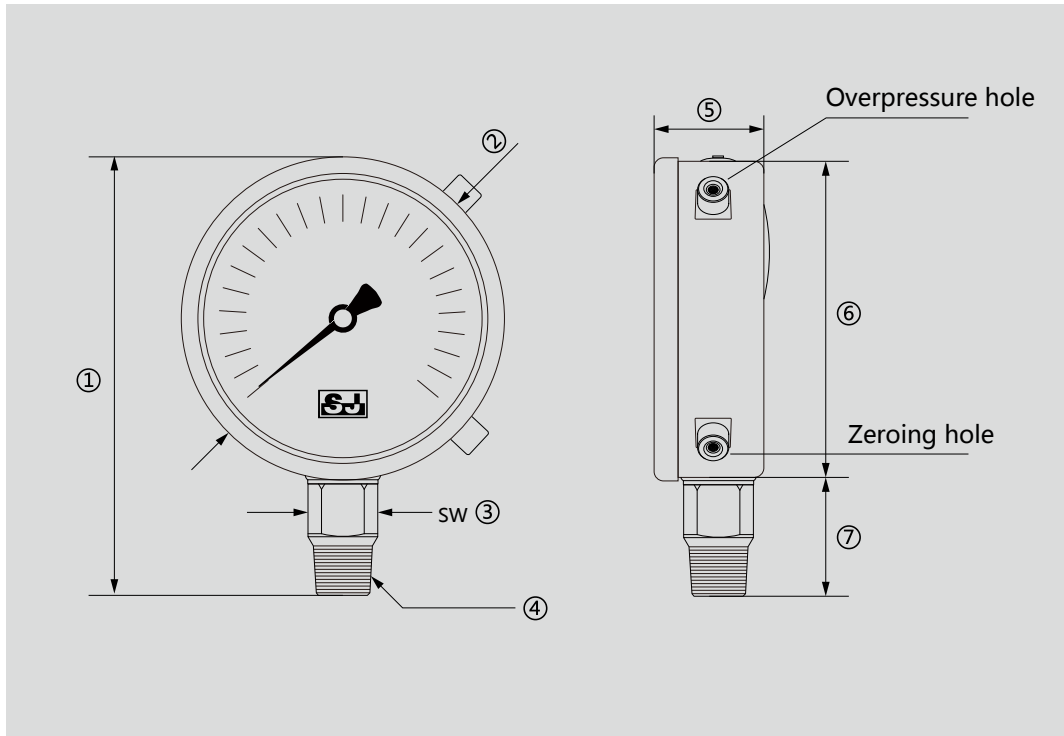
Max 100°C with liquid-filled

Permissible Pressure range

For stable pressure source: 75% F.S.

For unstable pressure pulse: 60% F.S.D.

Dimensions



| Dimensions (mm) | | | | | | | |
|-----------------|-----|-----|----|------------|----|------|----|
| NS | ① | ② | ③ | ④ | ⑤ | ⑥ | ⑦ |
| 2.5" | 91 | 69 | 14 | 1/4" | 30 | 62 | 25 |
| 4" | 144 | 110 | 22 | 3/8", 1/2" | 49 | 98.5 | 35 |

Codes for Custom Order Configurations

| | | | | | | | | |
|--|--------|-----------------------------|---|----|------|---|----|----|
| Ex : | PROZ - | 63 | 2 | PT | 10kg | Y | YG | +A |
| Nominal size | | 63 | | | | | | |
| 63 | - | 2.5" | | | | | | |
| 100 | - | 4" | | | | | | |
| Thread size | | | 2 | | | | | |
| 2 | - | 1/4" | | | | | | |
| 3 | - | 3/8" | | | | | | |
| 4 | - | 1/2" | | | | | | |
| OT | - | other | | | | | | |
| Thread type | | | | PT | | | | |
| PT | - | PT | | | | | | |
| NPT | - | NPT | | | | | | |
| OT | - | other | | | | | | |
| Pressure range(including units) | | | | | 10kg | | | |
| Whether to specify the unit | | | | | | Y | | |
| Y | - | Yes, specify the unit above | | | | | | |
| N | - | No, accept the other units | | | | | | |
| Whether need filling liquid | | | | | | | YG | |
| YG | - | Glycerin | | | | | | |
| YS | - | Silicone | | | | | | |
| +N | - | None | | | | | | |
| Other demands | | | | | | | | +A |
| +A | - | None | | | | | | |
| +B | - | Additional order details | | | | | | |

For any changes to the specifications of this catalogue , the latest version shall prevail.
Copyright © 04/2020 by SIN JIA ENTERPRISE COMPANY LIMITED. All rights reserved.

SIN JIA ENTERPRISE COMPANY LIMITED

TEL:+886-2-2550-4512

FAX:+886-2-2550-4510

info@sinjiagauge.com

www.sj-gauge.com

No.3, Ln. 71, Chifeng St., Datong Dist., Taipei City 103, Taiwan

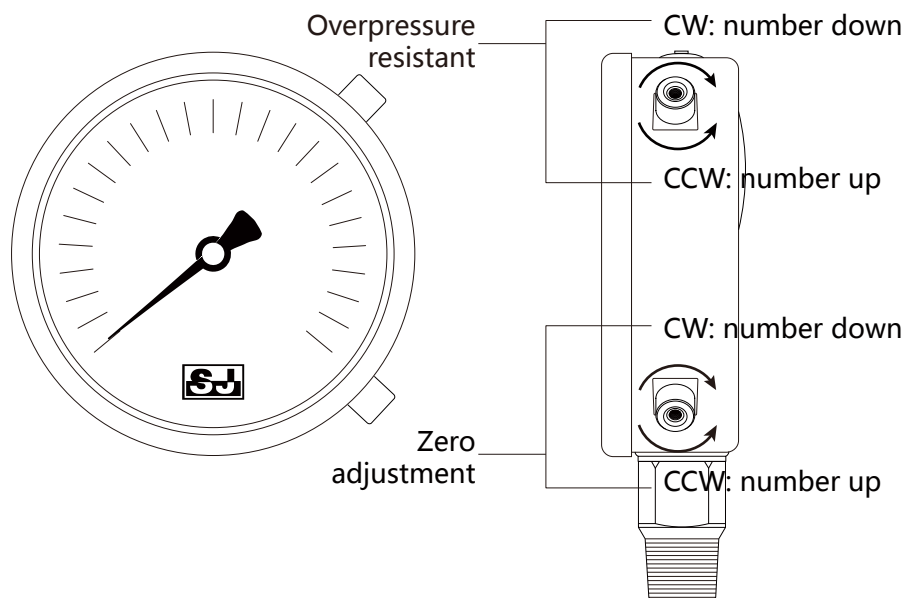




Adjustment Instruction

Overpressure resistant

1. Enter the pressure to any value that you want to be restricted
2. Rotate the wrench clockwise, the set value decreases; counterclockwise, the set value increases
3. The stopper bears against the bourdon tube, which produces overpressure protection



Zero adjustment

1. Enter the pressure to any value that is easy to observe
2. Rotate the wrench clockwise, the set value decreases; counterclockwise, the set value increases
3. Correct the error and restore to zero

Notice

- The adjustment angle is limited to 10° above and below
- Using tool: 1.6mm hex wrench