

Link Diaphragm Low Pressure Gauge

Model: PRSSM-LD

Feature of Product

- Control and regulation of industrial processes at measuring points with increased overload and scale ranges from 0 ... 25 mbar
- Switch contacts consisting of several contacts can also be set to a single set point.



Fig. left : General+Contact
 Fig. middle : General+Flange
 Fig. right : General

Product Specification

Nominal size

100mm

Accuracy

1.6、 1.0 (optional)

Measuring range0 ... 400 mbar to 0 ... 25 bar
(flange Ø 100 mm)**Scale**

Single scale、 dual scale (optional)

Process connection

G1/2B , 1/2NPT , M20x1.5 or other

Flange

Stainless steel

Medium temperature+100 °C maximum、
+200 °C maximum (optional)**Ambient temperature**

-20 ... +60 °C

Case

Stainless steel

Diaphragm element≤ 0.25 bar: Stainless steel 316L
> 0.25 bar: NiCr alloy (Inconel)
or others**Dial**

Aluminum alloy

Product Specification

Pointer

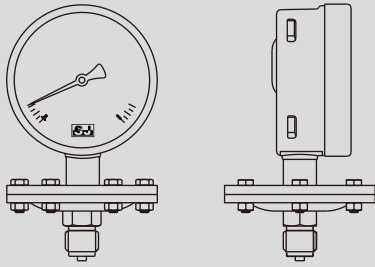
Black aluminum alloy

Window

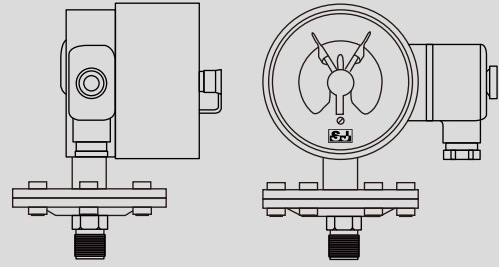
Safety glass

產品樣式

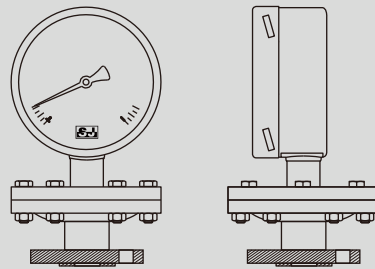
A-General



B-General+Contact



C-General+Flange



NS / Code	A	B	C
4"	✓	✓	✓

Codes for Custom Order Configurations

Ex:	PRSSM-LD -	A	100	1	G	10kg	Y	+A
Type		A						
A	- Vertical							
B	- with electrical contacts							
C	- with flange							
Nominal size			100					
100	- 4"							
Accuracy				1				
1	- 1.0							
6	- 1.6							
Thread size					G			
G	- G1/2B							
4NPT	- 1/2NPT							
M20	- M20x1.5							
OT	- other							
Pressure range						10kg		
Whether to specify the unit							Y	
Y	- Yes, specify the unit above							
N	- No, accept the other units							
Other demands								+A
+A	- None							
+B	- Additional order details							

For any changes to the specifications of this catalogue , the latest version shall prevail.
Copyright © 08/2021 by SIN JIA ENTERPRISE COMPANY LIMITED. All rights reserved.

SIN JIA ENTERPRISE COMPANY LIMITED

TEL:+886-2-2550-4512

FAX:+886-2-2550-4510

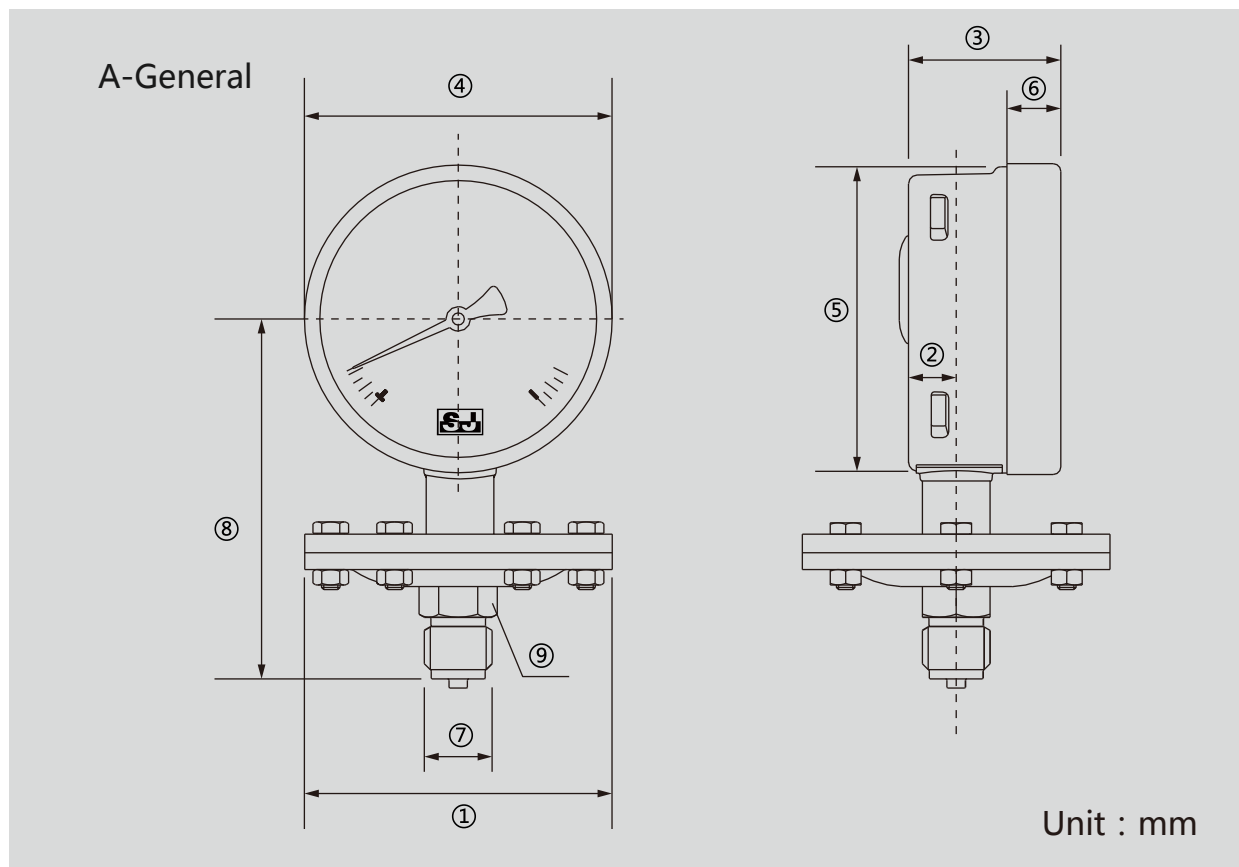
info@sinjiagauge.com

www.sj-gauge.com

No.3, Ln. 71, Chifeng St., Datong Dist., Taipei City 103, Taiwan



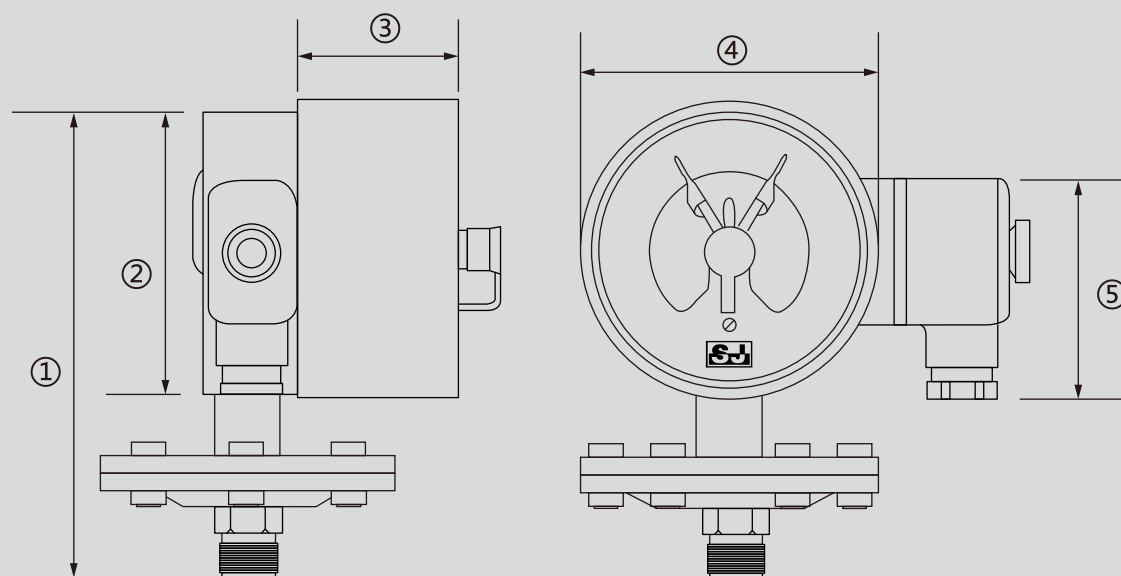
Dimensions



NS	Scale range	Dimensions(mm)								
	bar	①	②	③	④	⑤	⑥	⑦	⑧	⑨
4"	≤ 0.25	160	15.5	49.5	101	99	17.5	G ½ B	119	22
	> 0.25	100	15.5	49.5	101	99	17.5	G ½ B	117	22

Dimensions

B-General+Contact

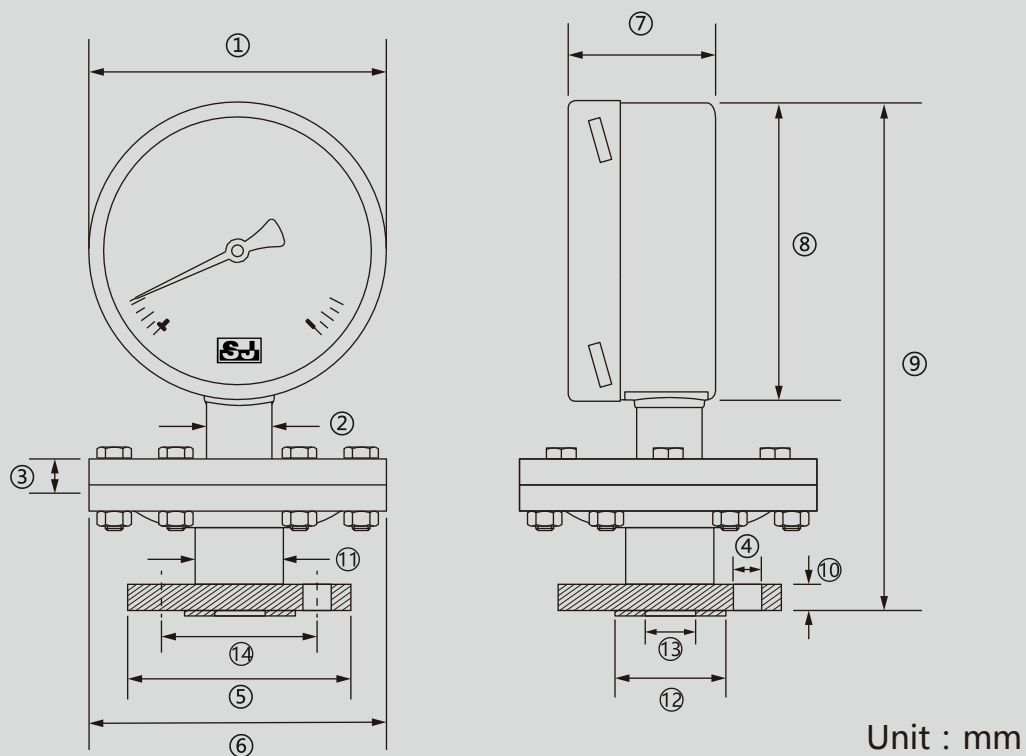


Unit : mm

NS / Code	①	②	③	④	⑤
4"	250	150.2	87.7	101.5	75.3

Dimensions

C-General+Flange



Code NS	①	②	③	④	⑤	⑥	⑦	⑧	⑨	⑩	⑪	⑫	⑬	⑭
4"	101	22.5	20.3	16	110	161.5	50	99	216	14.2	36.3	51	26	78